



BRIGHTSCAPE 2000 LED FLOOD LIGHT



Innovative, Simple Design

The integrated front-end cylindrical-diffuser design over the LED array light source is a clever optical design that results in a powerful luminaire suitable for direct lighting and reduced glare.



Excellent Heat Dissipation

Stringently selected materials provide for a steady dissipation of heat throughout the whole system, in turn allowing a longer lifetime for the luminaire.

IP65

High Durability

A robust, protective design gives this luminaire an IP of 65 and the ability to handle harsh environments.



Energy Saving

The combination of high-efficacy LED components with excellent whole system design has SONARAY LED lighting achieving energy savings of 40% - 80% compared with traditional lighting sources.



Quality Core Component

Excellent luminaire design to the core: starting with the LED packages themselves. These luminaires only use high quality COB packages from CITELED – chipsets that have great quality and long life as backed by LM-80 and TM-21 reports. Quality inside the luminaires that shines from the outside.



Complies with Multinational Certifications

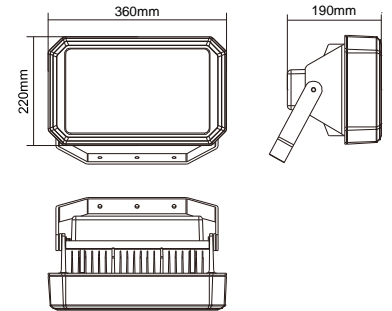
Approved by authorized national laboratories for ETL (USA and Canada), CE (Europe) and RCM (Australia).

BRIGHTSCAPE 2000 LED FLOOD LIGHT



Specifications

Materials: Aluminum, Tempered glass, PC
 Housing Color: Black
 Driver: Built-in
 Input Voltage: AC 90-277V~50/60Hz
 Power Factor: ≥0.9
 Operating Temperature: -20°C~+40°C, -4°F~+104°F
 Lifetime: ≥ 40,000hrs

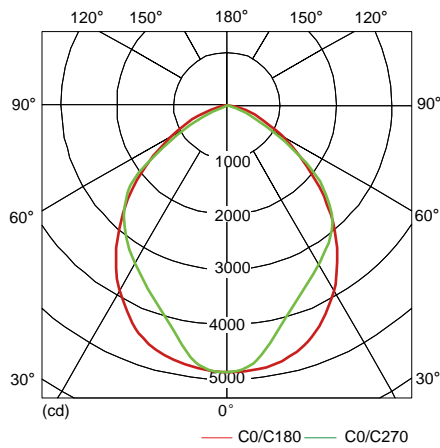


Color Temperature



Model No.	Power (W)	Luminous Flux (lm)	Luminous Efficacy (lm/W)	Color Temperature (K)	CRI (Ra)	Beam Angle (°)	Weight (kg/lb)
FL-2100	100	10000	100	5000	65	96 (H) ×93 (V)	7.5/16.53

Light Distribution Curve



Illuminance Distribution

H(m)	E(lx)
1	4876
2	1219
3	542
4	305
5	195
6	135
7	100
8	76
9	60
10	49
11	40
12	34
13	29
14	25
15	22

www.sonarayled.com

© 2014 DASCOM LED LIGHTING (JIANGMEN) CO., LTD. All rights reserved.
 All company and product names are trademarks or registered trademarks of their respective owner. Specifications are subject to change without notice.

Version1.0. Edited 2014.05